

Sludge delivery line

ZX 125 / 5.5

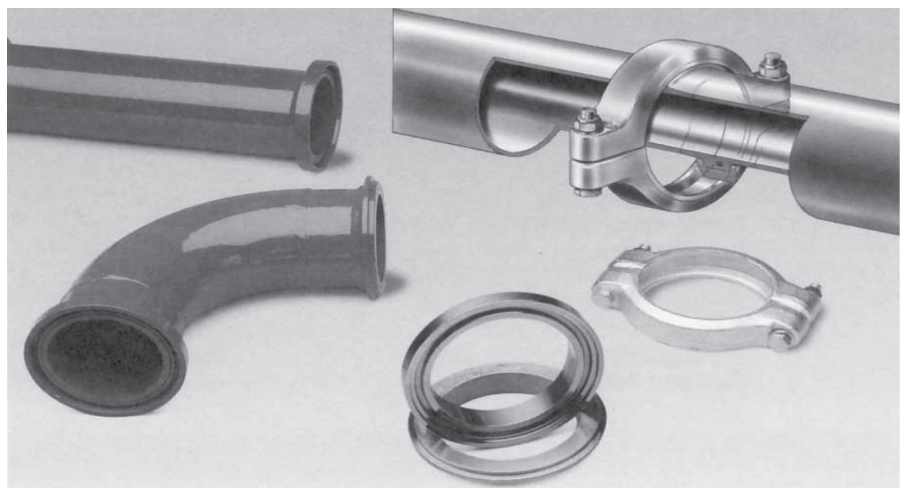
Working Pressure 100 bar

Possible operations:

Especially suitable for paste-like, abrasive media with high dry matter content at high pressures in the delivery line.

Advantages:

- Putzmeister high pressure delivery line with favourably-priced quickaction coupling system, wellproven in 24 hour continuous operation for stationary or temporarily laid pipe lines in sewerage treatment works, paper mills, etc.
- ZX screw couplings are simple and quick to assemble
- The ZX coupling system guarantees an absolutely leak-proof delivery line
- The delivery line centred by the coupling system is straight and rigid



Explanations:

Every ZX line always commences with a ZXV connection piece and finishes with a ZXM one.

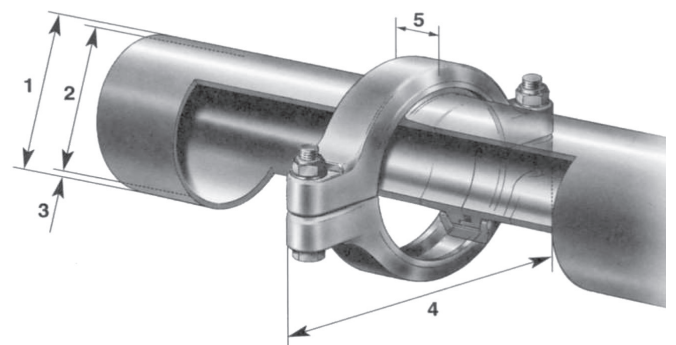
Technical dimensions:

Pipe:

1. Outside diameter	139.7 mm
2. Inside diameter	125.5 mm
3. Wall thickness	7.1 mm

Coupling:

4. Width	300.0 mm
5. Fitting dimensions	51.0 mm



Couplings / Seals

Designation		Part-Nr.	Approx. Weight unit/kg	Partgroup/disc. level
Screw coupling	ZX-S 130 bar dyn.	241586008	6.5	5
Seal	143.0 x 5.0 NBR	267277003	0.015	5
Seal	143.0 x 5.0 Viton	493809	0.020	5

Delivery pipes / Welding rings

Designation		Part-Nr.	Approx. Weight unit/kg	Partgroup/disc. level
Delivery pipe	500 mm lg	251982003	on request	5
Delivery pipe	1000 mm lg	251983002	on request	5
Delivery pipe	2000 mm lg	251984001	on request	5
Delivery pipe	3000 mm lg	251985000	70.0	5
Delivery pipe	6000 mm lg	251986009	on request	5
Raw pipe	approx. 6000 mm lg	005464007	23.7	5
Welding ring	ZXV	251973009	2.28	5
Welding ring	ZXM	251974008	2.48	5

Delivery pipe elbows

Designation		Part-Nr.	Approx. Weight unit/kg	Partgroup/disc. level
Delivery pipe elbow	15°, r = 281 ND	251990008	5.83	5
Delivery pipe elbow	30°, r = 281 ND	251989006	6.99	5
Delivery pipe elbow	45°, r = 281 ND	251988007	8.14	5
Delivery pipe elbow	90°, r = 281 ND	251987008	10.0	5

Large radius elbows

Designation		Part-Nr.	Approx. Weight unit/kg	Partgroup/disc. level
Large radius elbow	15°, r = 1000 ND	252511004	on request	5
Large radius elbow	30°, r = 1000 ND	252510005	24.0	5
Large radius elbow	45°, r = 1000 ND	252509003	24.0	5
Large radius elbow	90°, r = 1000 ND	252508004	42.0	5

Delivery hoses, fixed on both sides

Designation		Part-Nr.	Approx. Weight unit/kg	Partgroup/disc. level
Delivery hose	ZX 125, 3100 mm lg, 85 bar stat.	251405001	52.0	7
Delivery hose	ZX 125, 5100 mm lg, 85 bar stat.	257141000	66.0	7

Delivery hoses and End hoses are available in various lengths: 1 m – 40 m

Cleaning accessories

Designation		Part-Nr.	Approx. Weight unit/kg	Partgroup/disc. level
Sponge ball	D 150 - medium	018841002	0.28	7
Sponge scraper	D 150 x 180	253086004	0.488	7
Cleaning scraper	NW 125	253953001	1.964	5
Cleaning connection	ZXV 125	272991002	9.0	on request

Other accessories

Designation		Part-Nr.	Approx. Weight unit/kg	Partgroup/disc. level
Forked pipe	1000 mm lg	257047007	on request	5
T-delivery pipe	1000 mm lg	265401004	on request	5
Y-delivery pipe	1000 mm lg	291039000	38.0	5
Pressure gauge	0 - 100 bar analog	on request	on request	on request
Pipe attachment	with I-Träger cpl.	265398007	15.0	5
Lid	ZXV 125/5.5	255394008	36.43	5

Sludge delivery line, ZX 125 / 5.5; 100 m long, consisting of:

Quantity	Designation	Part-Nr.	Approx. Weight unit/kg	
40	Screw coupling ZX-S	241586008	6.5	
40	Seal 143.0 x 5.0 NBR	267277003	0.015	
2	Delivery pipe 2000 mm lg	251984001	on request	
12	Delivery pipe 3000 mm lg	251985000	70.0	
10	Delivery pipe 6000 mm lg	251986009	on request	
2	Welding ring ZXV	251973009	2.28	
2	Welding ring ZXM	251974008	2.48	
1	Large radius elbow 15°, r=1000 ND	252511004	on request	
1	Large radius elbow 30°, r=1000 ND	252510005	24.0	
2	Large radius elbow 45°, r=1000 ND	252509003	24.0	
5	Large radius elbow 90°, r=1000 ND	252508004	42.0	
1	Delivery hose ZX 125, 3100 lg	251405001	52.0	
5	Sponge ball average D 150	018841002	0.28	
1	Sponge scraper D 150 x 180	253086004	0.488	
1	Cleaning connection ZXV 125	272991002	9.000	
1	T-delivery pipe 1000 mm lg	265401004	on request	
22	Pipe attachment cpl.	265398007	15.0	

Sludge delivery line, ZX 125 / 5.5; 200 m long, consisting of:

Quantity	Designation	Part-Nr.	Approx. Weight unit/kg	
70	Screw coupling ZX-S 6	241586008	6.5	
70	Seal 143.0 x 5.0 NBR	267277003	0.015	
4	Delivery pipe 2000 mm lg	251984001	on request	
24	Delivery pipe 3000 mm lg	251985000	70.0	
20	Delivery pipe 6000 mm lg	251986009	on request	
4	Welding ring ZXV	251973009	2.28	
4	Welding ring ZXM	251974008	2.48	
2	Large radius elbow 15°, r=1000 ND	252511004	on request	
2	Large radius elbow 30°, r=1000 ND	252510005	24.0	
4	Large radius elbow 45°, r=1000 ND	252509003	24.0	
8	Large radius elbow 90°, r=1000 ND	252508004	42.0	
1	Delivery hose ZX 125, 3100 lg	251405001	52.0	
10	Sponge ball average D 150	018841002	0.28	
3	Sponge scraper D 150 x 180	253086004	0.488	
1	Cleaning connection ZXV 125	272991002	9.0	
1	T-delivery pipe 1000 mm lg	265401004	on request	
44	Pipe attachment cpl.	265398007	15.0	

Sludge delivery line, ZX 125 / 5.5; 500 m long, consisting of:

Quantity	Designation	Part-Nr.	Approx. Weight unit/kg	
125	Screw coupling ZX-S	241586008	6.5	
125	Seal 143.0 x 5.0 NBR	267277003	0.015	
3	Delivery pipe 1000 mm lg	251983002	on request	
4	Delivery pipe 2000 mm lg	251984001	on request	
13	Delivery pipe 3000 mm lg	251985000	70.0	
75	Delivery pipe 6000 mm lg	251986009	on request	
6	Welding ring ZXV	251973009	2.28	
6	Welding ring ZXM	51974008	2.48	
4	Large radius elbow 15°, r=1000 ND	252511004	on request	
4	Large radius elbow 30°, r=1000 ND	252510005	24.0	
5	Large radius elbow 45°, r=1000 ND	252509003	24.0	
10	Large radius elbow 90°, r=1000 ND	252508004	42.0	
1	Delivery hose ZX 125, 3100 lg	251405001	52.0	
20	Sponge ball average D 150	018841002	0.28	
5	Sponge scraper D 150 x 180	253086004	0.488	
1	Cleaning connection ZXV 125	272991002	9.0	
1	T-delivery pipe 1000 mm lg	265401004	on request	
88	Pipe attachment cpl.	265398007	15.0	